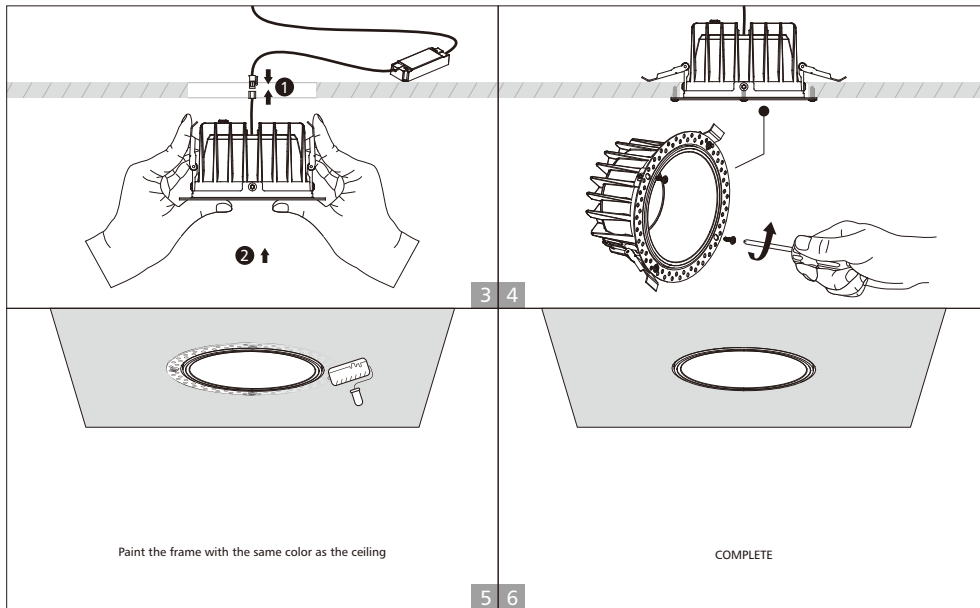
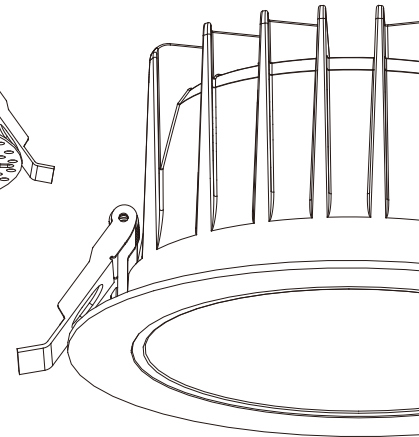
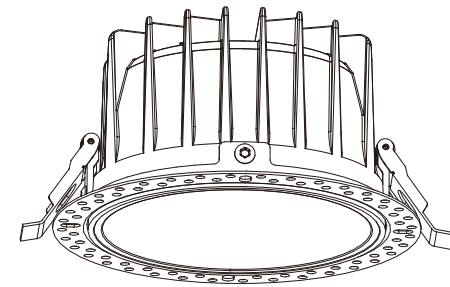


LED DOWNLIGHT USER GUIDE



LED DOWNLIGHT

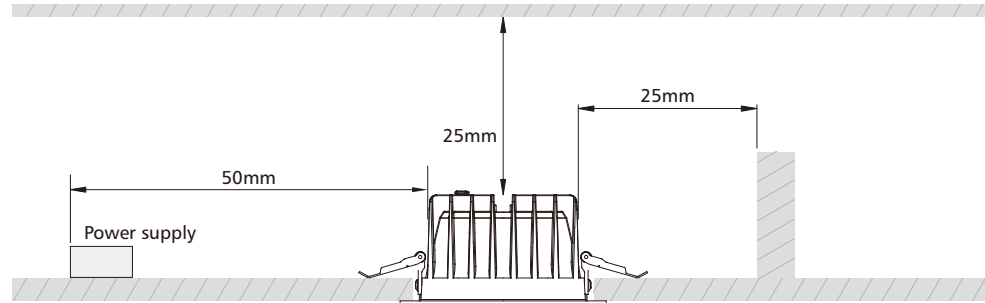
Important Safety Instructions

Basic safety precautions should always be followed when installing, including the following:

1. Read instructions & check you have all the tools & accessories to complete the installation correctly.
2. Licensed electrician for installation only.
3. Always ensure the power is OFF and the fitting has cooled down before performing any maintenance, cleaning, changing the globe or adjustment to the fitting.
4. Do not install any luminaire near the heat source.
5. Do not exceed the nominal supply voltage or amperage ratings.
6. To avoid injury or damage to the fitting, please ensure that power leads and screws are secure before connecting the power.
7. The light source contained in this luminaire shall only be replaced by the manufacturer or his service agent or a similar qualified person.

Installation Instruction

Fig 1: Installation Spacing



RISK OF FIRE – Required clearance from structural members and building elements
SCB=25mm HCB=25mm MIC=25mm SCI=25mm

HCB: Height clearance to building element
MIC: Minimum insulation clearance
SCI : Side clearance to insulation
SCB: Side clearance to building element

WARNING — RISK OF OVERHEATING OR FIRE IF THE CLEARANCE DISTANCES ARE COMPROMISED.

Ceiling cutout table

Downlight Dia (inch)	2	2.5	3	3.5	4	5	6	8	10
Ceiling Cutout (mm)	60-65	82-88	90-95	100-110	120-130	140-150	160-170	200-210	230-260

IP rating table: Before installation, please check the IP label on the luminaire to choose the right place to install.

IP40	Indoor use only, do not use in wet or damp place.
IP54	Suitable for indoor areas including bathrooms and covered/sheltered areas such as porches.

Dimmer selection table: Before installation, please check the information of driver as below.

Non-dim	Can not be used with any dimmer.
Triac dim	Compliable with recommended TRIAC dimmers, dimming range 8-100%.

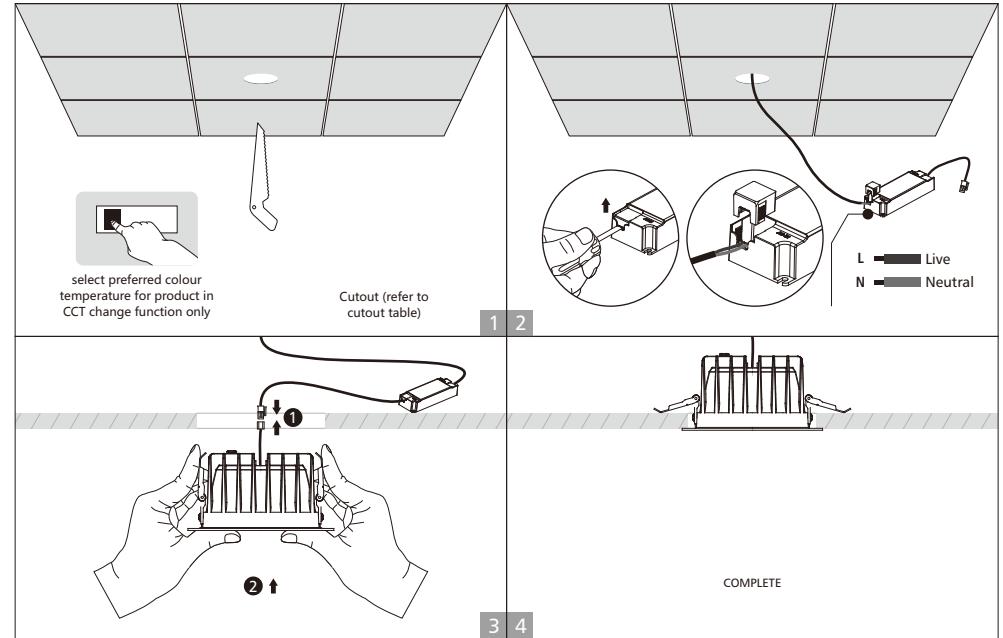
Installation Procedure

WARNING

1. Switch off before installation.
2. Switch on only after complete installation and examination of the circuit.
3. Professional electrician for installation and maintenance only.



Downlight with external driver (A)



Downlight with external driver (B)

